



## PREMIUM RANGE LED PANEL LUMINAIRE

954-034 - CYFELCO 3 REP 30X60 2500Lm/20W 865

### PRODUCT DATASHEET

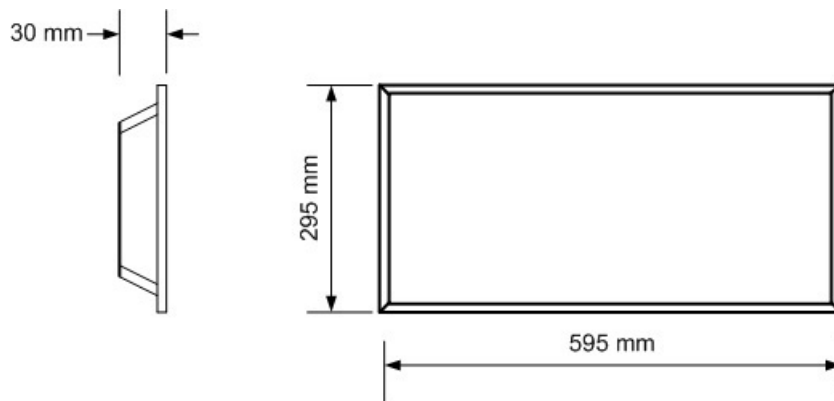
Rectangle recessed panel luminaires with CRI90, for 300 x 600 mm ceiling systems

#### Areas of application

- Direct replacement for recessed luminaires with - fluorescent lamps
- Offices, conference rooms, reception areas, foyers, corridors, elevators
- Suitable for recessed ceiling systems with grid size of 300 x 600 mm
- Suitable for surface installation via aluminium surface mounting frame

#### Product Features

- Premium performance with CRI (Ra)>90 and up to 125lm/W
- Energy Class D
- External driver for extended flexibility and easy installation
- Flicker-Free
- Extruded aluminum frame
- Lifetime (L80/B10): up to 60,000 h (at 25 °C)
- 5 Years Warranty



## TECHNICAL DATA

### Operating and Electrical

Input Voltage	220-240V AC
Line Frequency	50/60 Hz
Nominal Power Consumption	<b>20 W</b>
Power Factor	>0.95
Total Harmonic Distortion	<20%
Protection Class	Class II
Driver	External
Connection	Push in connector

### Over Time Performance

Lifespan L70/B50 at 25 °C	>60000 hrs
---------------------------	------------

### Application

Ambient Temperature Range	-25 to +40 °C
Ingress Protection Code	IP40
Mech. Impact Protection	IK02
Application Environment	Indoor
Mounting Type	Recessed/Surface
Dimmable	No

### Logistics

Dimensions (H x L x W)	30x595x295 mm
Packaging Size	605x40x315 mm
Gross Weight	1.08 Kg
Net Weight	0.8 Kg

### Directives

2014/30/EU	Electromagnetic Compatibility Directive
2014/35/EU	Low Voltage Directive
2011/65/EU	Restriction of Hazardous Substances Directive (RoHS)
2009/125/EU	Ecodesign Requirements for energy-related products

### Standards

EN 60598-1:2015	Luminaires part 1 General Requirements
EN 60598-2-1:1989	Part 2: Particular requirements-Section 1 Fixed general purpose luminaires
EN IEC 55015:2019 +A11:2020	Limits and methods of measurement of radio disturbance characteristics of electrical lighting and similar equipment
EN 61547:2009	Equipment for general lighting purposes - EMC immunity requirements
EN IEC 61000-3-2:2019	Electromagnetic compatibility (EMC) - Part 3-2: Limits - Limits for harmonic current
EN 61000-3-3:2013+A1:2019	Electromagnetic compatibility (EMC) - Part 3-3: Limits - Limitation of voltage changes, voltage fluctuations and flicker in public low-voltage supply systems, for equipment

### Photometric Data

Luminous Flux	<b>2500 lm</b>
Luminous Efficacy	125 lm/W
Color Temperature	6500 K (Cool Daylight)
Color Rendering Index Ra	>90
SDCM	<5
Flickering metric (Pst LM)	<1
Stroboscopic Effect (SVM)	<0.4
Photobiological safety group	RG 0
Beam Angle	120°
UGR	<22

### Mechanical and Housing

Housing Material	Steel (Aluminium frame)
Optic Material (on LED chips)	PMMA lens
Diffuser	Polystyrene
Housing Color	White

Packaging	6pcs per Carton
-----------	-----------------

Carton Box Gross Weight	8.5 Kg
-------------------------	--------

Carton Box Net Weight	8.0 Kg
-----------------------	--------

### Accessories/Options

Recessed installation	Torsion Springs
Surface Installation	Mounting Frame (Optional)

